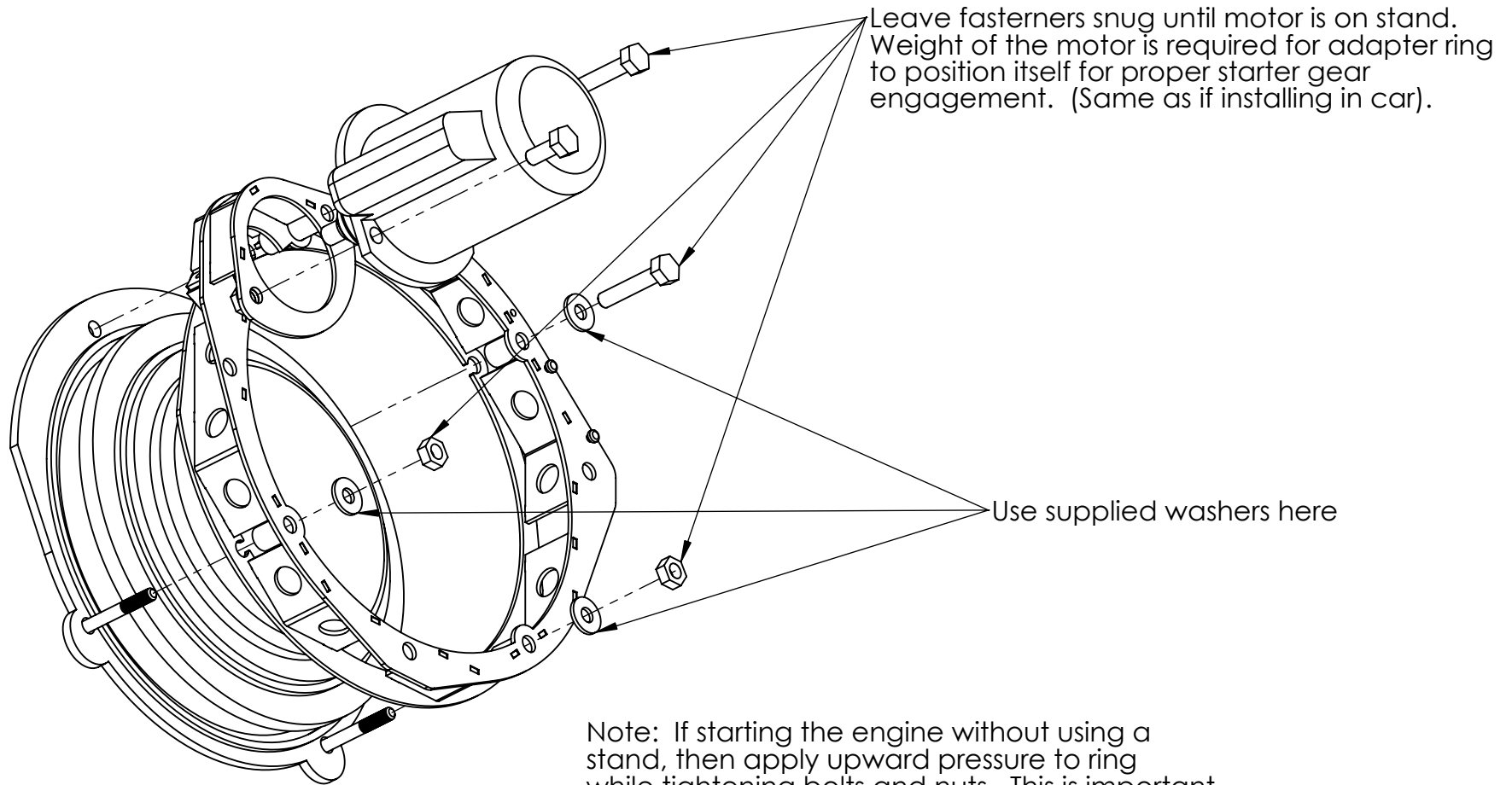


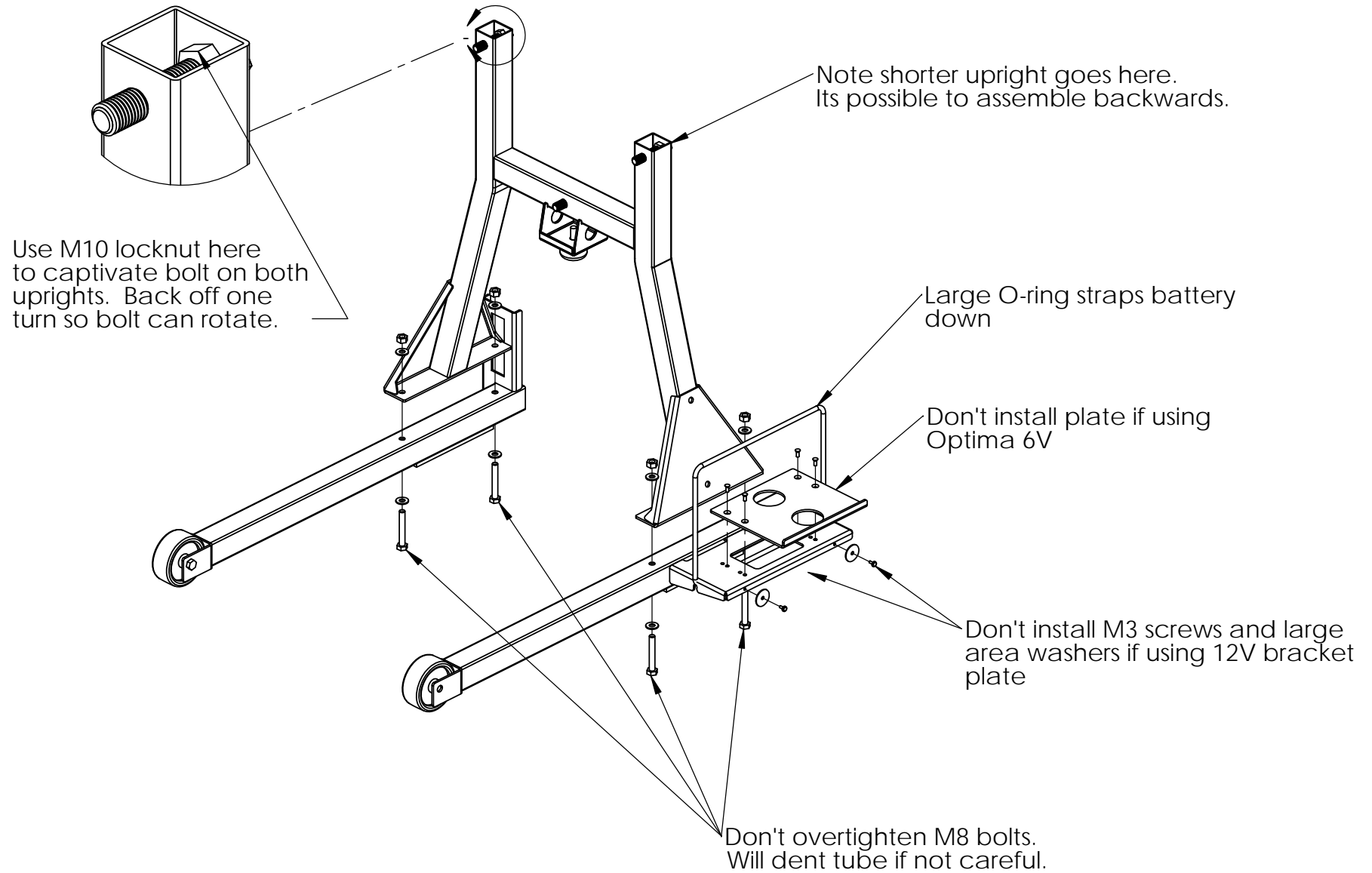
Instructions for mounting adapter to engine

Note: always mount adapter ring to engine first, then attach assembly to the stand.

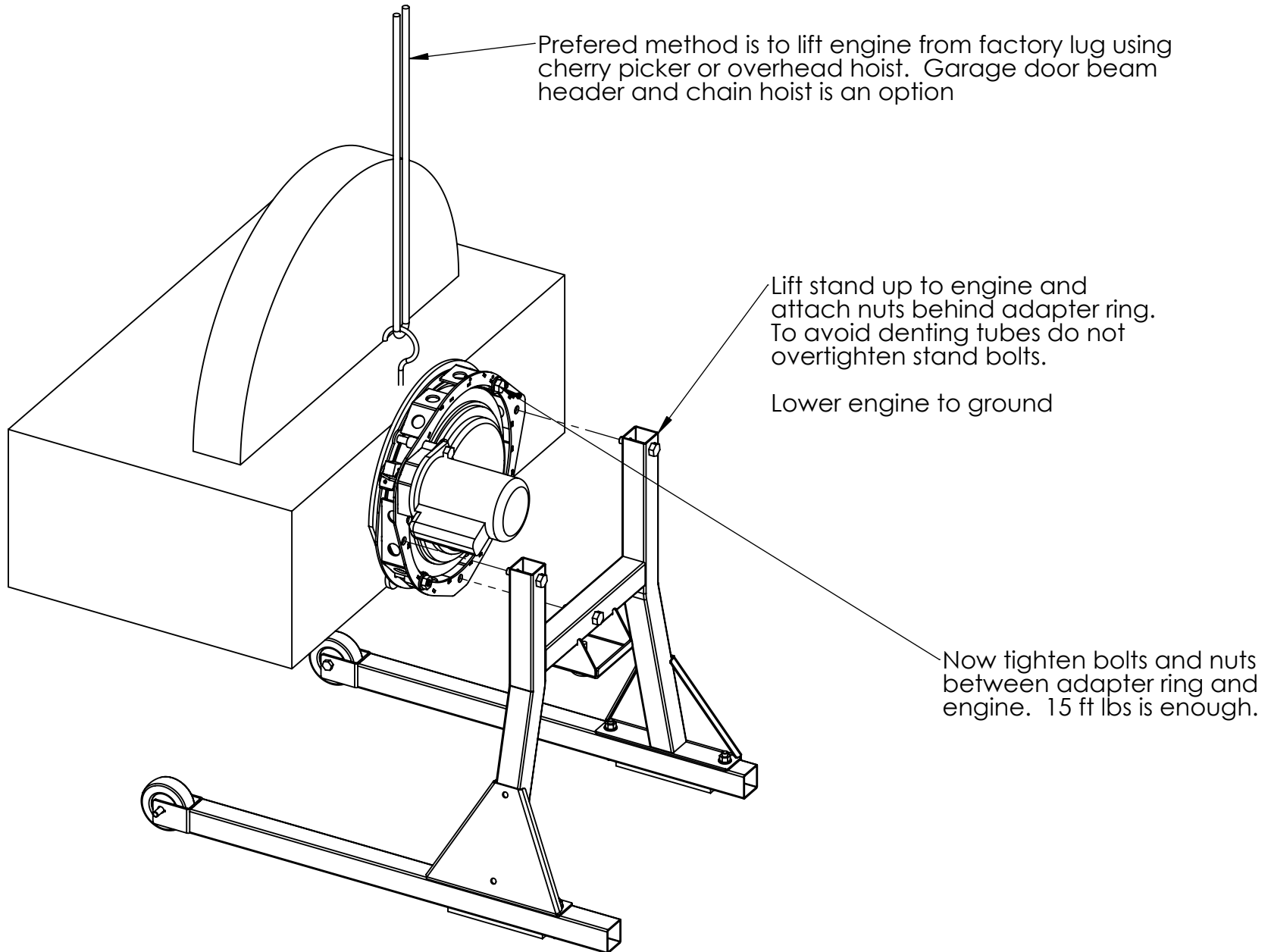


Note: If starting the engine without using a stand, then apply upward pressure to ring while tightening bolts and nuts. This is important for proper gear mesh. Do not overtorque. 15 ft lbs is enough.

Instructions for assembling stand



Instructions for installing engine and adapter ring to stand



Assembly Instructions for throttle bracket - Porsche

